

Rider "Diversity of Darkness"

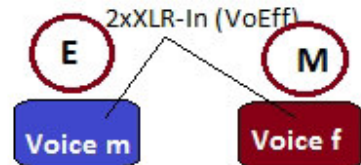
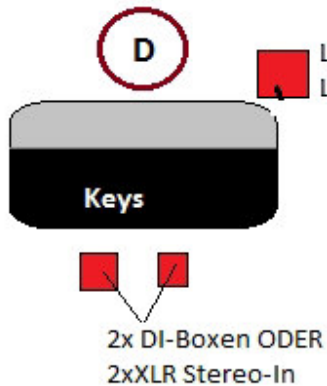
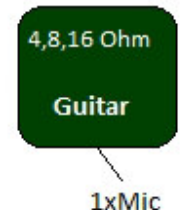
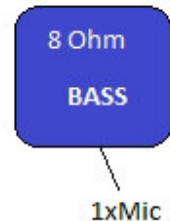
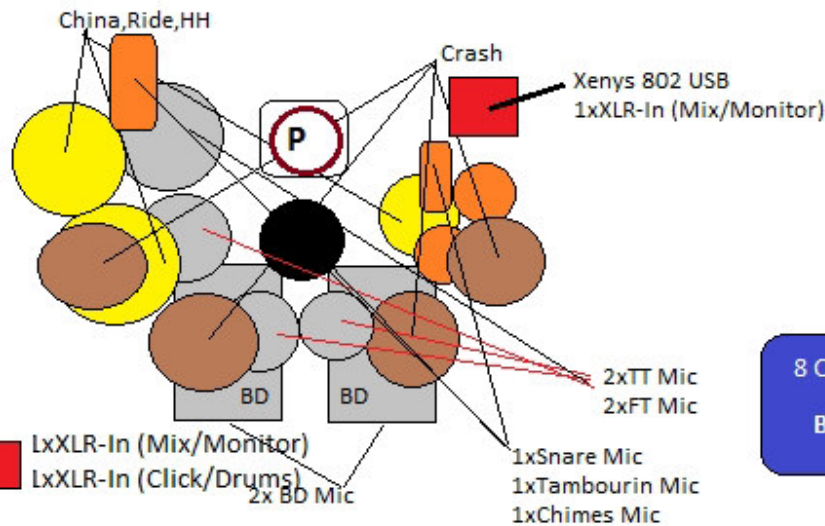
Backside

Recording (15xXLR/13xXLR,2x6,3Klink)

- 9x Drum Mic
- 2x Key XLR Stereo/DI 6,3
- 1x Bass-Mic
- 1x Guitar-Mic
- 2x Voice XLR (Effektboards Out)

Monitoring (4xXLR,2x/4xBox)

- 1xDrums (Mix/Click[self])
- 1xKeys (Mix/Click[Drums])
- 2xVocals (IE-Monitoring[Funk])
- 2x(4xOptimum) Stage-Monitoring (Guitar&Bass)



Front

2/4x Stage-Monitoring (for Guitar&Bass)

Left

Right